

Wayfarer

Seating Capacity.....	6 Adults
Dimensions	83" x 83" x 36", (211 cm x 211 cm x 91 cm)
Corner Radius	9" (23 cm)
Dry Weight.....	688 lbs (312 kg)
Filled Weight (Average Fill)	2,978 lbs (1,354 kg)
Water Capacity (Average Fill).....	275 US gallons (1,041 Liters)
Shipping Weight	688 lbs (312 kg)
Export Shipping Weight:.....	738 lbs (335 kg)
Electronic Controls	Programmable digital panel with LED readout
Pump 1.....	North America (60 Hz): 2-Speed, 3.6 HP break, 2.0 HP continuous, 48 Frame
Export (50 Hz):	2-Speed, 2.0 HP continuous
Pump 2.....	North America (60 Hz): 1-Speed, 3.6 HP break, 2.0 HP continuous, 48 Frame
Export (50 Hz):	1-Speed, 2.0 HP continuous
Circulation Pump.....	Optional with ClearZone Pro package
Filtration (factory default).....	2 Cycles for a total of 2 hours
Heater	4.0 kW
Export (50Hz)	2.0 kW
Total @Home Jets	42
Seat 1 Jets.....	4 Cluster Storm Directional, 4 Cluster Storm Pulsator, 1 Power Storm Massage, 2 Cluster Storm Rifled, 2 Power Storm Twirl
Seat 2 Jets.....	2 Cluster Storm Rifled
Seat 3 Jets.....	6 Cluster Storm Rifled
Seat 4 Jets.....	1 Mini Storm Rotational, 2 Cluster Storm Directional
Seat 5 Jets.....	2 Mini Storm Directional, 2 Mini Storm Rifled, 2 Mini Storm Rotator, 2 Power Storm Rotator, 2 Pillow Mini Directional
Seat 6 Jets.....	4 Cluster Storm Directional
Footwell (7).....	2 Power Storm Twirl
Massage Selectors	1
Special Features	1 Jet Therapy Pillow, 1 Collar Pillow, Tactile Therapy
Water Management System.....	One 75 ft filter cartridge; 8" Weir
Optional	ClearZone Pro Water Purification System
LED Lighting	One multi Color LED footwell light
Optional	Crystal FX
Synthetic Cabinet Colors.....	Adobe Tan, Stoneridge Grey, Mayan Brown, Terracina Cabinet (Optional).....
Terracina Cabinet (Optional).....	Driftwood, Cherry, Summer Pine, Vintage Cedar, Midnight Maple
Acrylic Colors	Moonstone, UltraLife, Sand, Sunstone, Smoked Marble, Blue Topaz, Gray Marble, Desert Stone
Headrests	3 (2 standard; 1 Jet Therapy Pillow)
Water Feature.....	Water fountain with independent flow rate (on or off) adjustment; powered by pump 1
Electrical Requirements:	North America (60 Hz): 240 VAC@30A or 40A Export (50 Hz): 230 VAC@1x16A, 1x32A, 2x16A, 3x16A or suitably rated circuit breaker to comply with local electrical codes. Certain countries may require dual power inputs
Warranty*.....	North America (60 Hz) Lifetime for UltraLife Shell Surface, 5 Years Acrylic Shell Surface, 3 Years Plumbing, 3 Years Equipment and Controls, 7 Years Cabinet, 1 Year Water Purification System, 2 Years for Jet Insert, 1 Year for Jet Escutcheon, 1 Year Lights, 6 Months for Stereo; Export (50 Hz): 10 Years for UltraLife Shell Surface, 5 Years Acrylic Shell Surface, 2 Years Plumbing, 2 Years Equipment and Controls, 2 Years Cabinet, 1 Year Water Purification System, 2 Years for Jet Insert, 1 Year for Jet Escutcheon, 1 Year Lights, 6 Months for Stereo
Audio System (Optional).....	Stereo system with Bluetooth capability; 2 premium speakers and a subwoofer

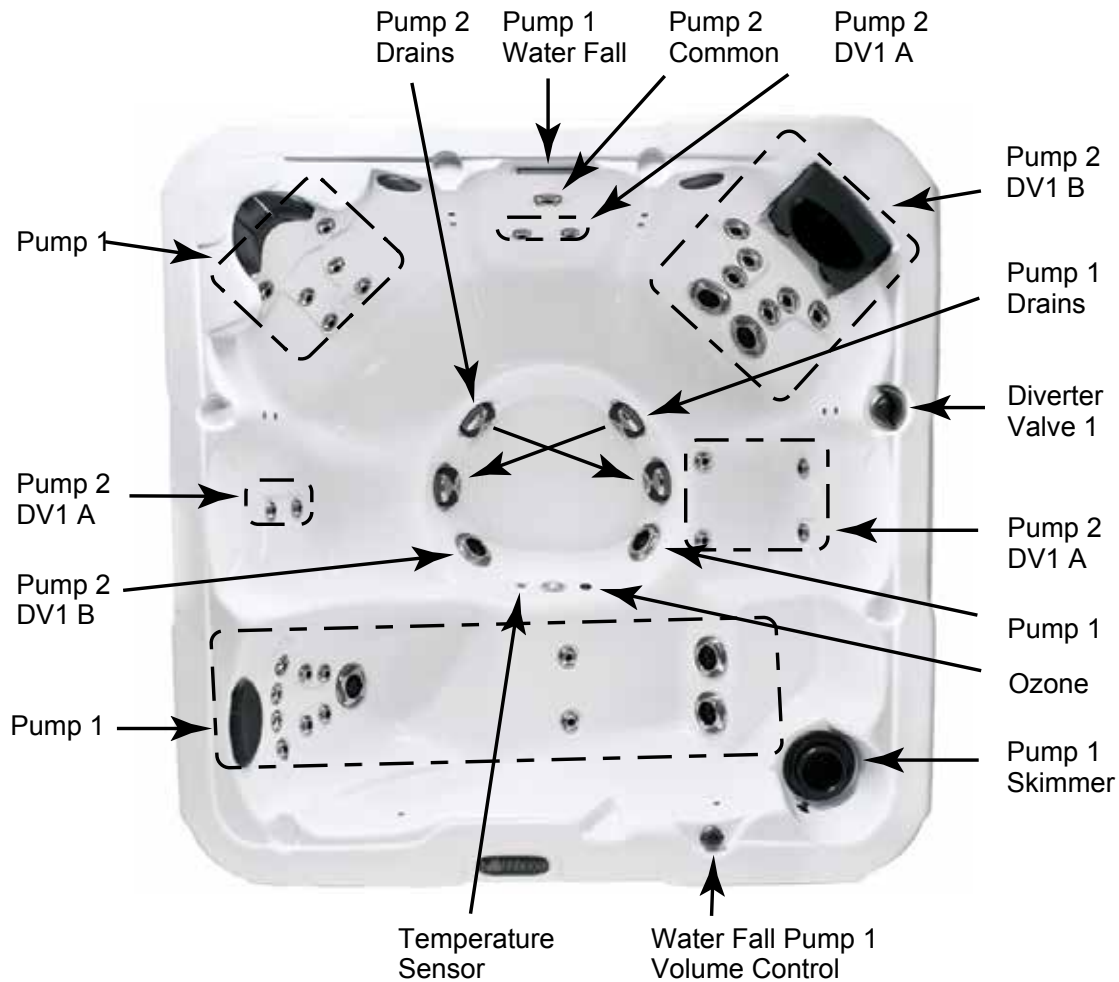


**Optional
escutcheon jets**

*(See Warranty Document for Specific Details)

Wayfarer

Massage Selector Diagram



DV1 A = Diverter Valve 1 (A Position Clockwise)
 DV1 B = Diverter Valve 1 (B Position Counter Clockwise)
 DV1 C = Diverter Valve 1 (C Neutral Position)

Spa Operation Subject to Change without Notice

Seat Depths

- 1 = 25.00" (63.50 cm)
- 2 = 25.00" (63.50 cm)
- 3 = 26.00" (66.04 cm)
- 4 = 26.00" (66.04 cm)
- 5 = 29.00" (73.66 cm)
- 6 = 26.00" (66.04 cm)

7 = 30.00" (76.20 cm)

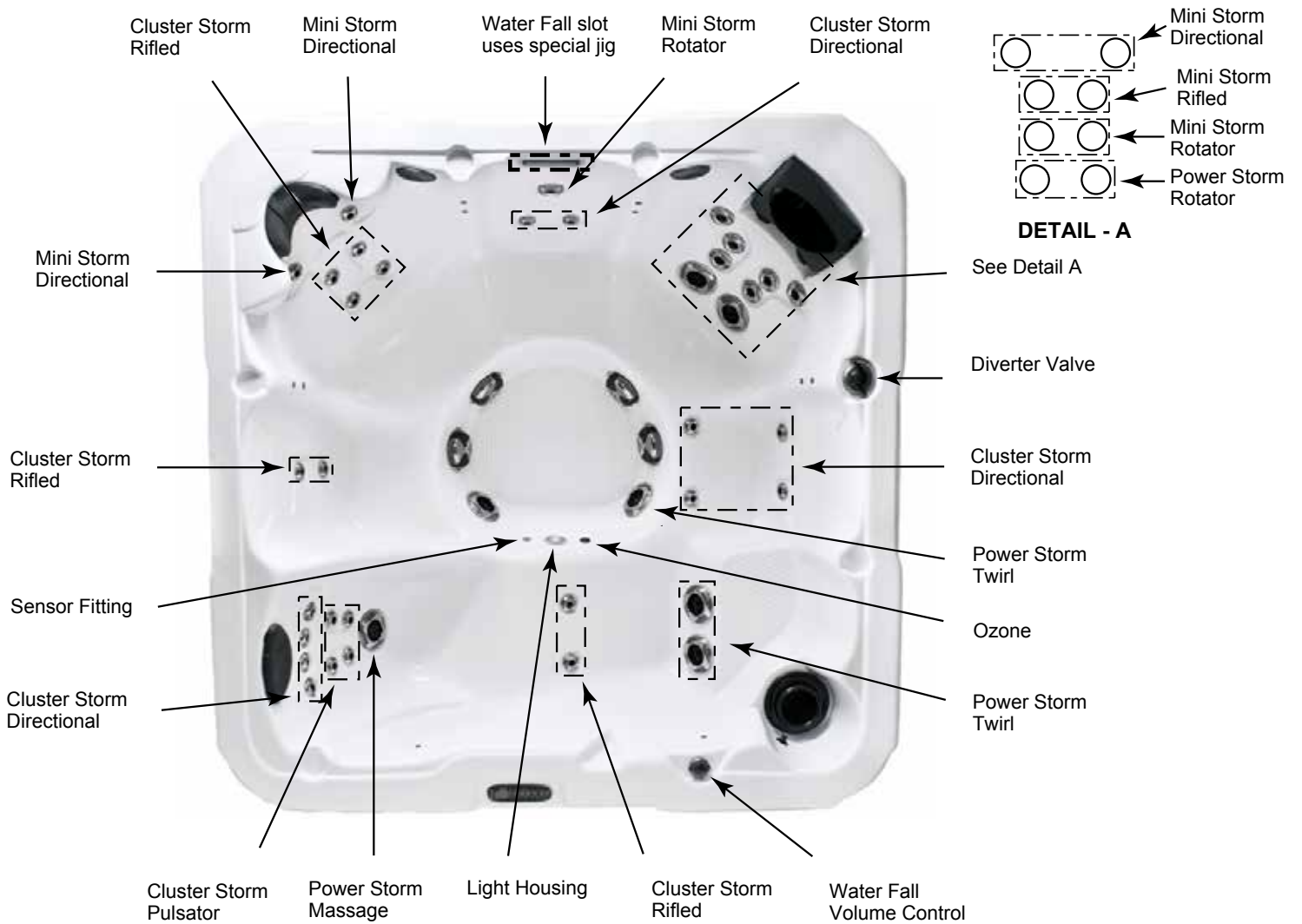
Listed dimensions represent distance from top of acrylic to lowest point in seat. Tolerance $\pm 0.5"$ (1.27 cm).



Dimensions/Specifications are Subject to Change Without Notice

Wayfarer

Jet Designation



Dimensions/Operation/Specifications are Subject to Change Without Notice

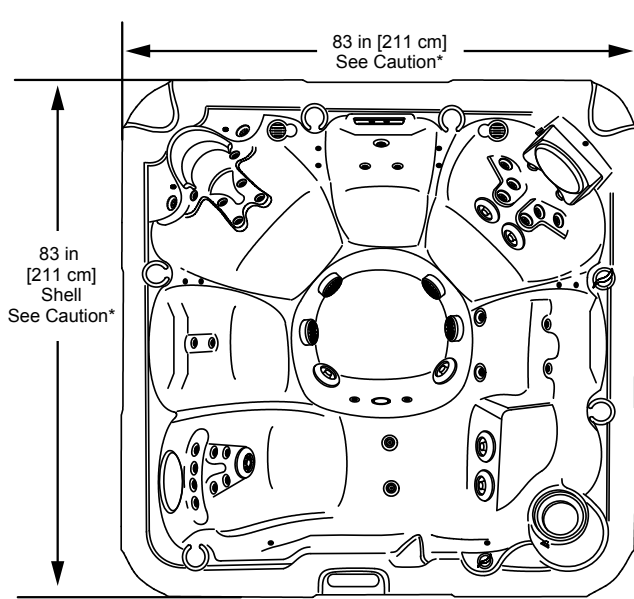
42 Total Jets (textured)



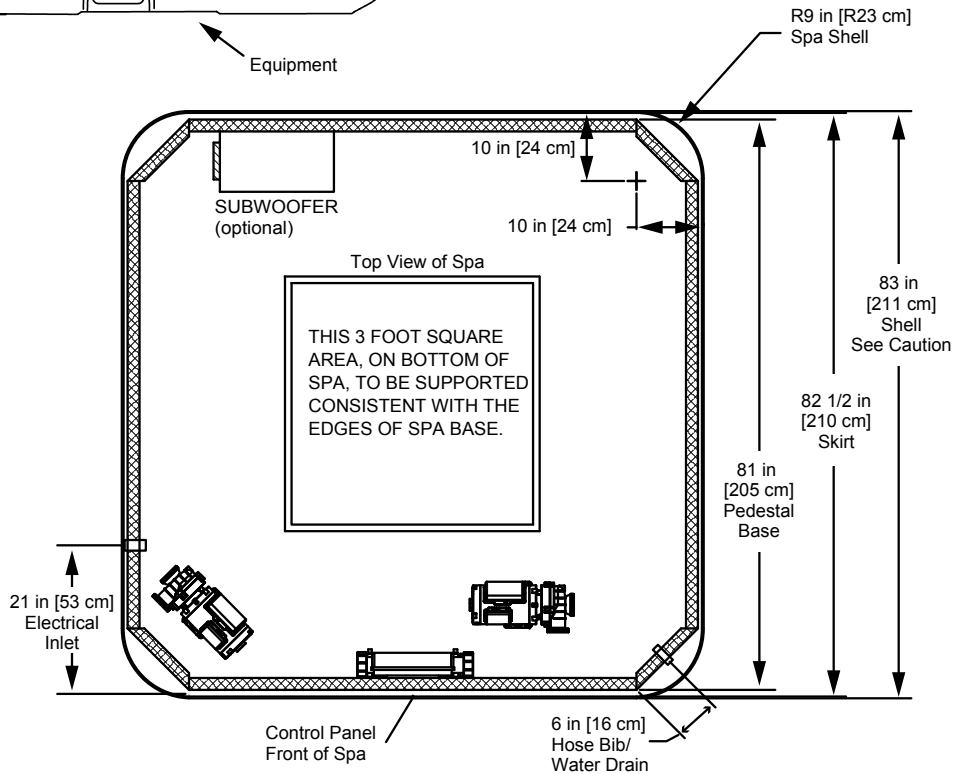
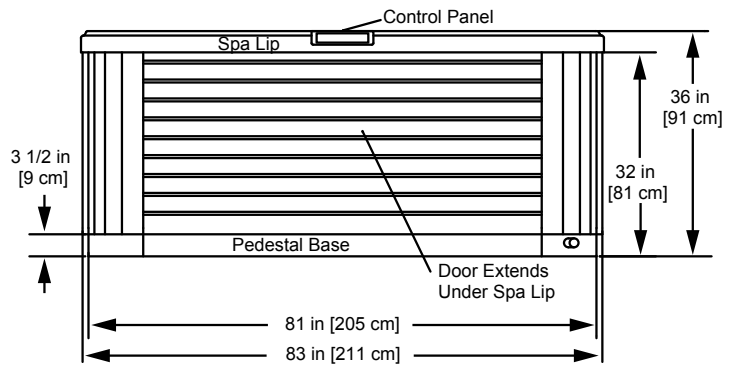
Total Jets



Wayfarer



Front View of Spa



Note:

1. Subject to change without notice.
2. Engineering specs may differ slightly from brochure.
3. For E-Z lifter installation allow 18" (45.7cm) clearance on the backside of the spa.
4. Alternative cabinets may add significant weight. Ask your dealer for exact details.



***Caution:**

Due to manufacturing tolerances there could be some minor differences between the actual spa and the drawing above. **If site planning is critical to such tolerances, be sure to measure your actual spa.**